

TERECO

FLASHBAND & UNDERTILE MEMBRANE



FLASHBAND FOR USE WITH RIDGE TILES

A flexible, self adhesive, elastomeric membrane with a pressure sensitive built-in self-adhesive modified bitumen with a polyester carrier.

Dry system – no cement required

APPLICATION

After waterproofing membrane has been applied a final topcoat application of acrylic exterior quality paint can be applied in a colour of choice.

UNDERTILE MEMBRANE FOR USE WITH ROOFTILES

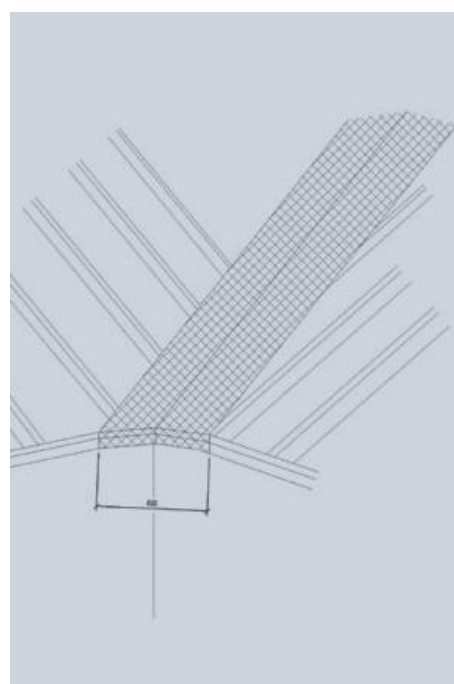
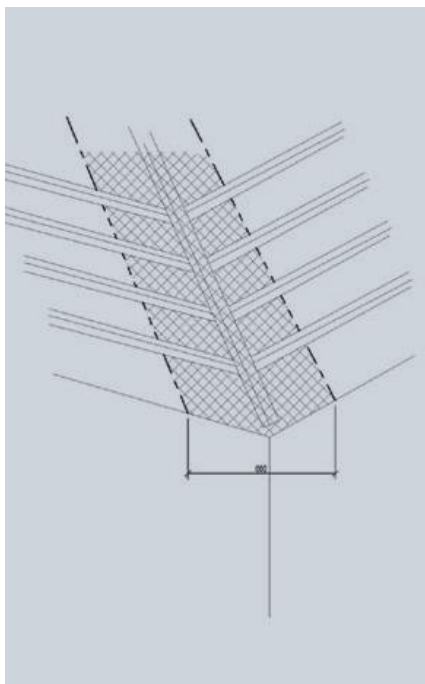
Easy to install, high performance product that protects your roof against moisture, condensation and wind uplifts, preventing damage to ceilings and timbers.

INSTALLATION AND FIXING

Undertile membranes are compulsory for all profiles of Tereco Roof Tiles.

Only SABS approved membranes that have been certified to use as undertile membrane are to be used.

High quality 350 micron thickness undertile membrane should be installed by approved erectors in line with good building practice. The membrane is to be installed across the rafters, under the purlins or tiling battens with a minimum 150 mm overlap. The membrane should be taken over the last tiling batten at the eaves to prevent the formation of ponds on the membrane. The side of which the identification mark is printed on the membrane should face upwards. The membrane is affixed to the trusses by using galvanised clout nails. Sufficient slack should be allowed between rafters to allow the membrane to form a trough for water runoff if rainwater should penetrate or leak through the tiles.



Hip & Valley Undertile